

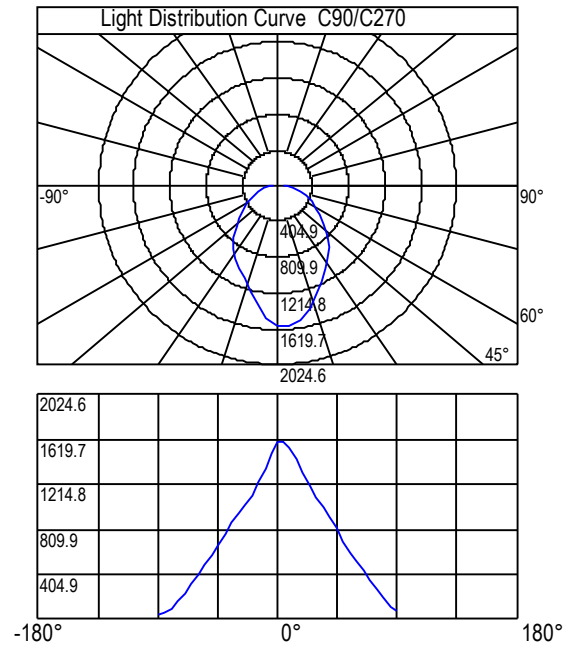
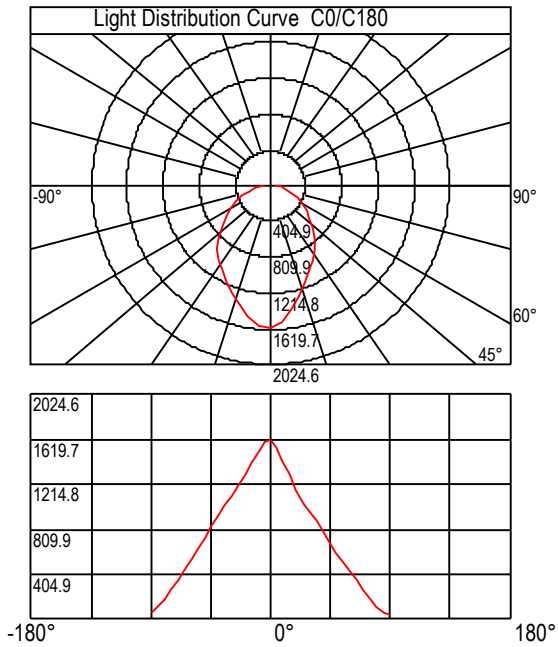
LED 汞灯(面光源)

Luminaire Property

Report No: Voltage: 0.000 V
LumCAT: LED 汞灯(面光源) Current: 0.000 A
Manufacturer: Power : 44.600 W
Lamp:LED 汞灯(面光源) PF:0.000
Number of Lamps:1 Width: 0 mm
Sum Lumens:-1.0 lm Height: 0 mm
Length: 0 mm

Photometric Results

Lumens(lm): 3444.77 Maximum intensity: 1619.716 cd
Light Output Ratio(LOR):0.00% Angle of maximum intensity: C=135.0 γ=5.0
Effective flux(lm): 3325.92 IES Nema Type : Type7H×7V
Central intensity(cd): 1612.335
Beam Angle(50%Imax): V[41.3,43.0] H[43.8,42.1]
Field angle(10%Imax): V[77.5,79.6] H[78.5 ,79.1]



LED汞灯(面光源)

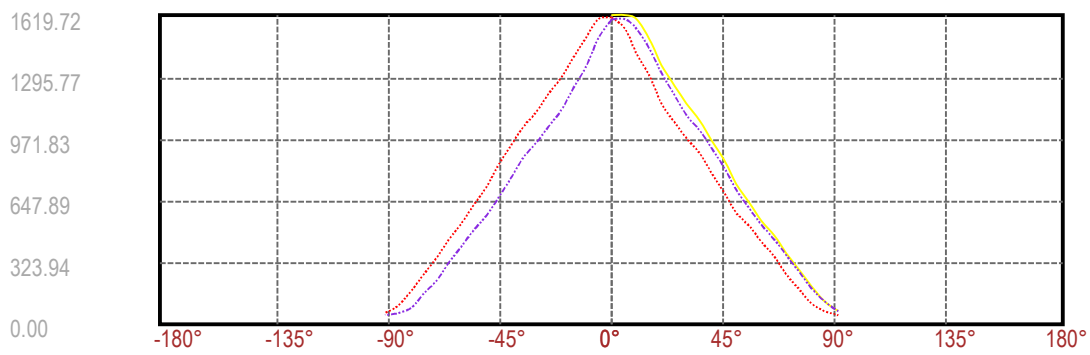
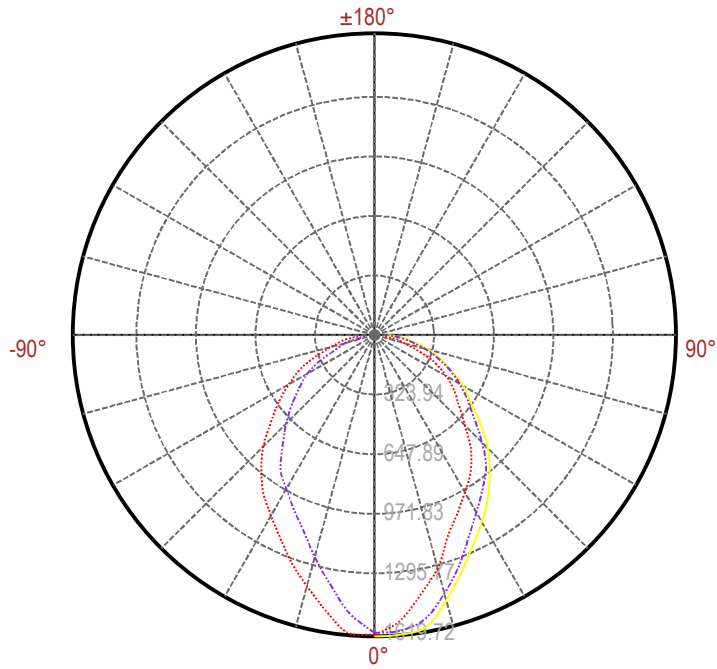
Zonal flux distribution table 单位:lm

V \ H		H																		Total	
		-90	-80	-70	-60	-50	-40	-30	-20	-10	0	10	20	30	40	50	60	70	80		90
V	-90	0.2	0.5	0.8	1.1	1.4	1.6	1.8	1.9	1.8	1.8	1.7	1.5	1.3	1.1	0.8	0.6	0.4	0.1	---	20.4
	-80	0.2	0.7	1.4	2.2	3.1	4.0	4.7	5.0	5.0	4.8	4.4	3.8	3.0	2.2	1.5	0.9	0.5	0.1	---	47.6
	-70	0.2	0.9	2.1	3.7	5.5	7.3	8.8	9.7	10.0	9.7	8.9	7.5	5.7	4.0	2.6	1.4	0.6	0.2	---	88.7
	-60	0.2	1.2	2.9	5.3	8.1	10.9	13.2	14.7	15.2	14.8	13.7	11.7	9.1	6.4	3.9	2.0	0.8	0.2	---	134.2
	-50	0.3	1.4	3.7	6.9	10.6	14.4	17.7	20.0	20.7	20.1	18.4	15.6	12.2	8.7	5.4	2.7	1.0	0.2	---	179.9
	-40	0.3	1.7	4.4	8.3	12.9	18.0	22.8	25.9	26.8	26.1	23.8	19.7	15.1	10.7	6.7	3.3	1.1	0.2	---	228.0
	-30	0.3	1.9	5.0	9.5	15.0	21.5	27.2	30.7	31.9	31.1	28.5	23.9	18.1	12.4	7.7	3.9	1.3	0.2	---	270.0
	-20	0.3	2.0	5.5	10.4	16.8	24.0	30.2	35.1	37.8	36.7	32.5	27.0	20.5	13.8	8.5	4.3	1.4	0.2	---	307.0
	-10	0.3	2.1	5.7	10.9	17.8	25.4	32.5	39.6	45.0	43.6	36.5	28.8	21.9	14.7	8.9	4.5	1.5	0.2	---	340.1
	0	0.3	2.1	5.8	11.0	18.0	25.7	33.3	41.5	47.9	45.8	37.8	29.4	22.4	14.9	9.0	4.6	1.5	0.2	---	351.4
	10	0.3	2.1	5.6	10.6	17.3	24.8	32.0	39.0	43.4	41.6	35.4	28.7	21.9	14.4	8.8	4.4	1.5	0.2	---	332.0
	20	0.3	2.0	5.3	9.9	15.8	22.7	29.3	34.0	36.4	35.4	31.8	26.8	20.0	13.3	8.2	4.1	1.4	0.2	---	296.8
	30	0.3	1.8	4.7	8.9	13.8	19.6	25.1	29.0	30.7	30.2	27.6	22.9	17.0	11.7	7.4	3.7	1.3	0.2	---	255.9
	40	0.3	1.6	4.1	7.6	11.7	15.9	20.0	23.2	24.7	24.2	21.8	18.1	13.9	10.0	6.2	3.1	1.1	0.2	---	207.7
50	0.3	1.3	3.3	6.2	9.5	12.7	15.4	17.4	18.4	18.0	16.5	14.1	11.1	7.9	4.9	2.5	0.9	0.2	---	160.4	
60	0.2	1.0	2.5	4.6	7.0	9.3	11.3	12.7	13.4	13.1	12.0	10.2	8.0	5.6	3.5	1.8	0.7	0.2	---	117.3	
70	0.2	0.8	1.7	3.0	4.5	5.9	7.1	7.9	8.3	8.1	7.3	6.2	4.8	3.4	2.2	1.2	0.6	0.1	---	73.5	
80	0.2	0.6	1.0	1.6	2.2	2.7	3.1	3.4	3.5	3.4	3.1	2.7	2.2	1.6	1.2	0.8	0.4	0.1	---	33.8	
90																				---	
Total	---	4.8	25.7	65.6	121.6	190.9	266.6	335.6	390.8	420.9	408.8	361.8	298.4	228.1	156.9	97.4	49.8	17.9	3.2	---	3444.8

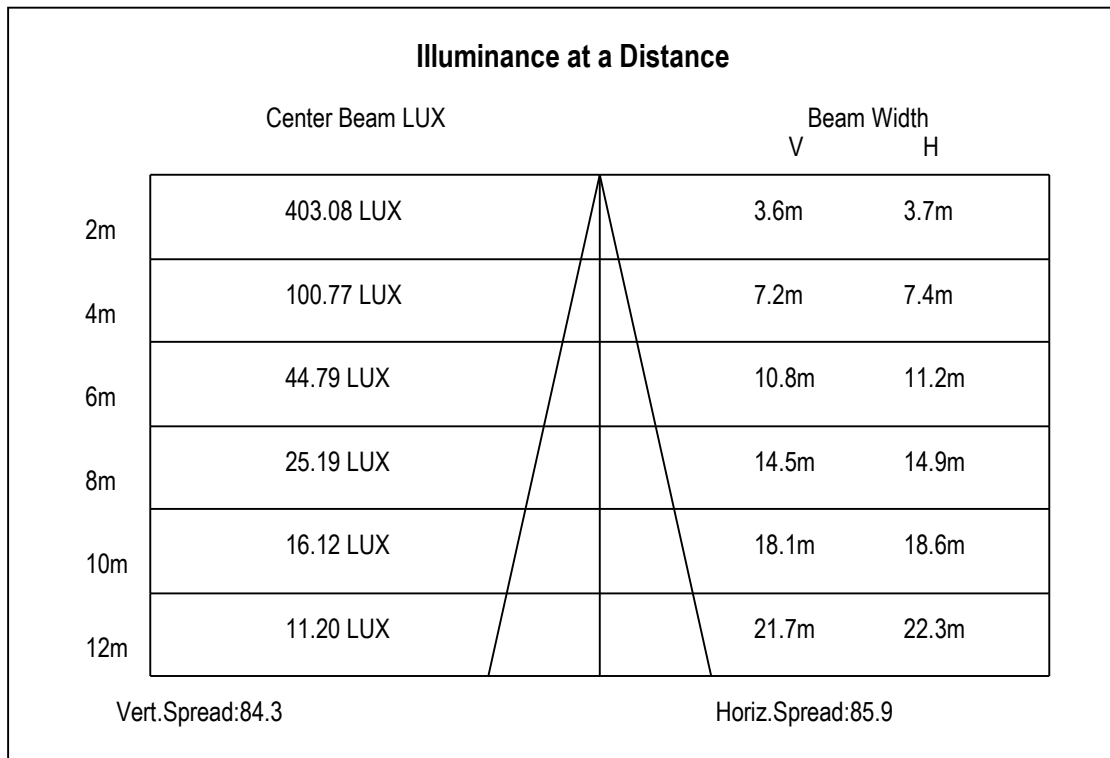
Equipment: GMS1800
Temperature(°C): 25

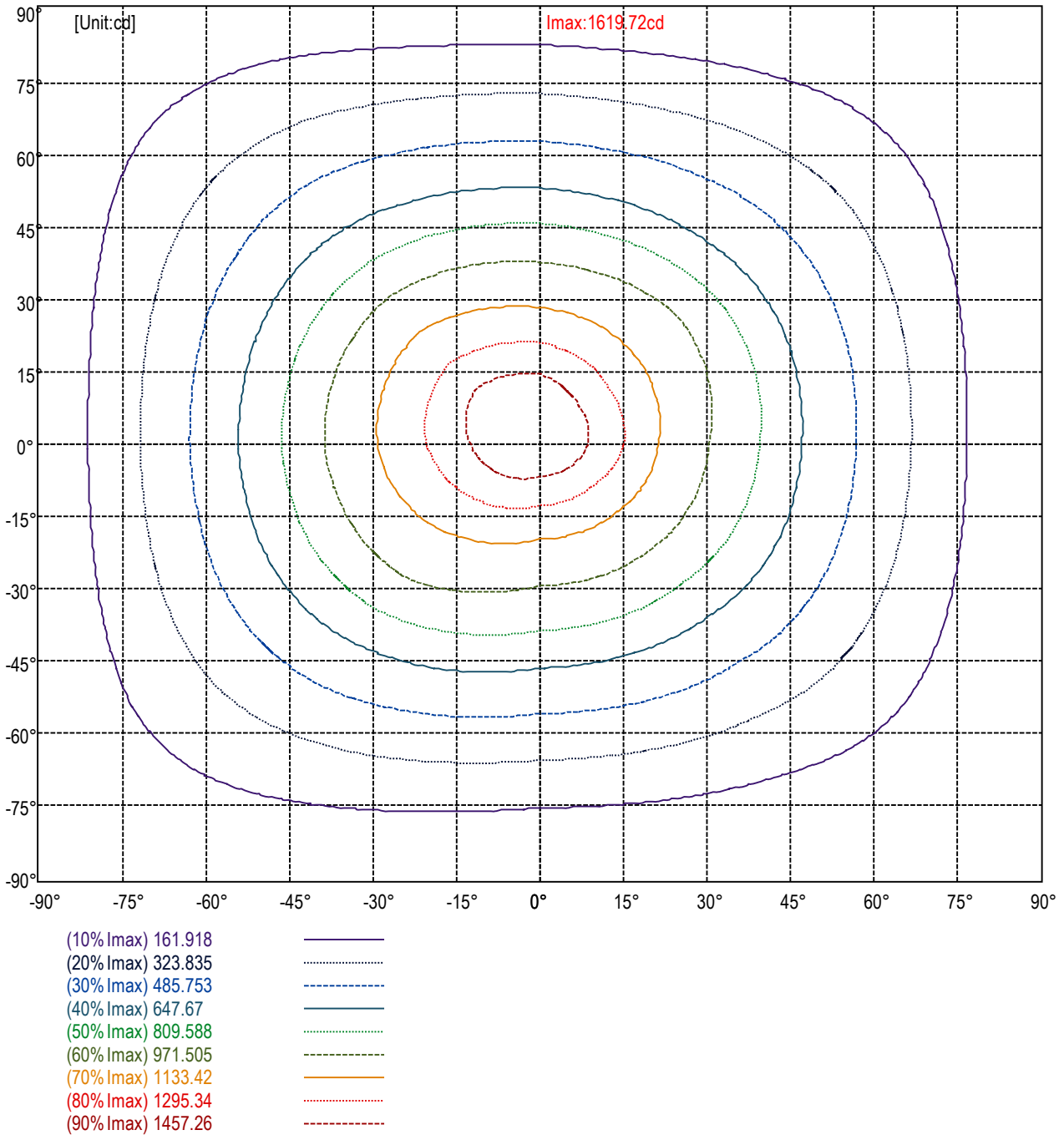
Date: 2013-08-10
Humidity(%): 60%

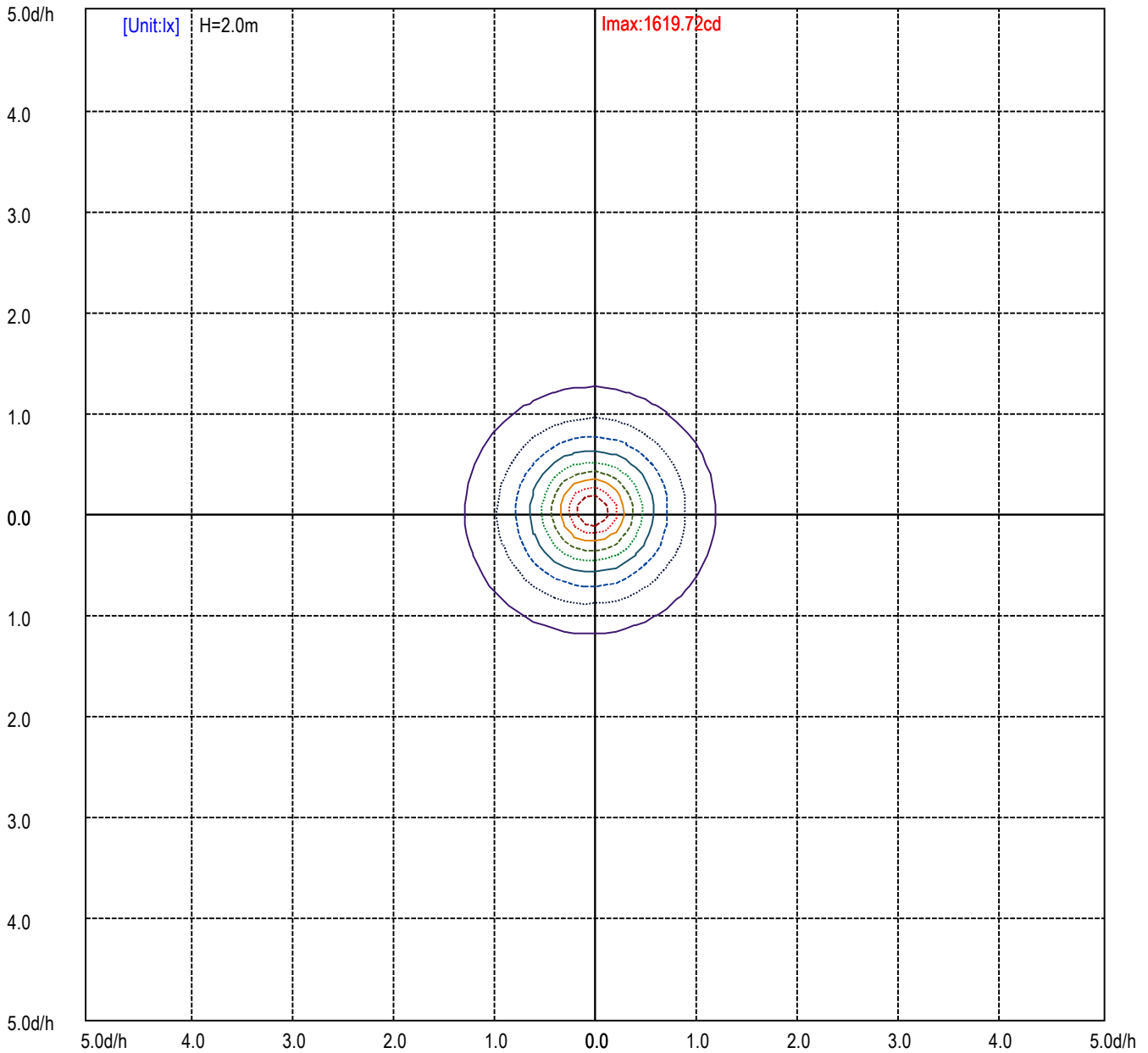
Operator:
Distance(m): 13.72



C135(Max): ————
C0/C180:
C90/C270: - - - - -







(10% Emax)	40.13825	———
(20% Emax)	80.2765
(30% Emax)	120.415	- - - - -
(40% Emax)	160.5533	———
(50% Emax)	200.6915
(60% Emax)	240.8297	- - - - -
(70% Emax)	280.9675	———
(80% Emax)	321.1075
(90% Emax)	361.245	- - - - -

